



## Features

- ★ Standard DIN size.
- ★ Slim design (snap-in installation).
- ★ Best suited as a simple temperature indicator.
- ★ Thin case (Depth 22mm).

## Ordering code

AT - 501   -   

Code	Display color
R	Red
G	Green

Code	Temperature sensors	Input Sensor type	Measuring range	Resolution	Accuracy (23±5°C)
KC	Thermocouple	K	0°C to +1000°C	1°C	±(0.2% of FS)
JC		J	0°C to +400°C	1°C	
PA	RTD	JPt-100,	-100.0°C to 199.9°C	0.1°C	±(0.4% of FS)
PJ		Pt-100	-200.0°C to 600°C	1°C	

## Specifications

### Common specifications

Operation method	Double integral
Input configuration	Single ended
Input bias current	50PA (Typ.)
Sampling rate	2.5 times per second
Rejection	40dB or more (TYP)
Display	Red or green 7 segment LED (height 14.2mm)
Polarity	'-' is displayed at negative polarity
Operating temperature	0 to 50°C
Operating relative humidity	35 to 85% (non-condensing)
Power supply	12Vdc to 24Vdc ±10%
Power consumption	37mA(TYP) when 24Vdc
Dimensions	96mm(W) x 48mm(H) x 22mm(D) DIN size
Weight	Approx. 60g
Dielectric strength	500Vdc per 1 min. : Between input terminal (A,B,COM) and power supply terminal (0V)
Insulation resistance	500Vdc, 100MΩ or more on the above terminals

### Thermocouple type specifications

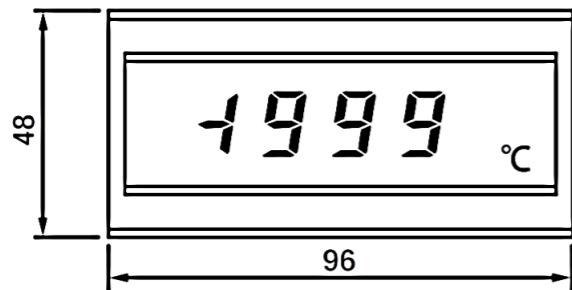
Input sensors	K or J
Temperature display	°C
Resolution	1°C
External resistance	100Ω or less
Reference junction compensation accuracy	±2°C (10 to 40°C)
Burnout alarm	'-1999' (K type) or '-999' (J type) flashes
Excessive input voltage	±5Vdc
Temperature coefficient	Sensor type K : 200ppm/°C os FS Sensor type J : 300ppm/°C os FS

### RTD type specifications

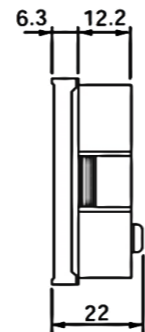
Input sensors	Pt100Ω (JPt100Ω)
Temperature display	°C
Resolution	0.1°C or 1°C
External resistance	1Ω or less per lead wire
Linearizer	Analog linearizer
Excessive input voltage	±5Vdc
Temperature coefficient	200ppm/°C
Resistance current	1mA (TYP)

## Dimensions

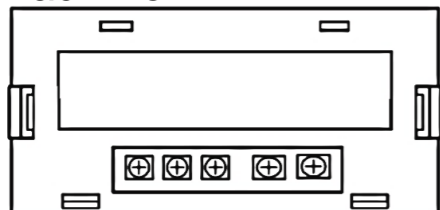
### Front view



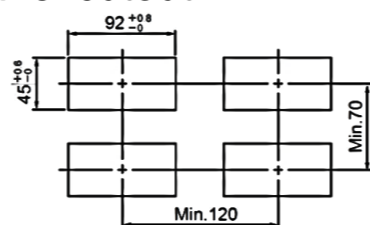
### Side view



### Back view

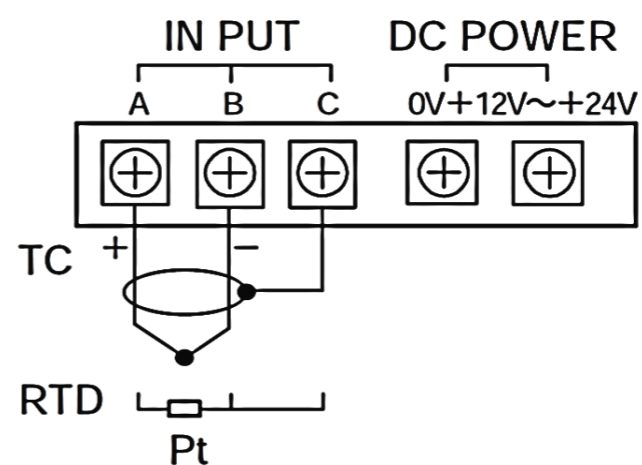


### Panel cutout



Panel thickness 0.8 to 5.0mm (Unit : mm)

## Terminal Connections



\* Specification is subject to change without notice