

General Specification

TC10 Temperature Controller



GS 05C01E81-01EN

General

The TC10 is a compact single loop temperature controller with easy-to-read 3 dynamic colors led display. The short depth of the controller helps save instrument panel space. The TC10 supports easy configuration with codes for quick start-up.

Features

- 3 Dynamic Colors Led Display
- Compact size: 48 x 48 mm (1/16 DIN), depth 48 mm + 14 mm (terminals)
- Universal Input: (TC, mV, V, mA, Pt100-Pt1000)
- 3 configurable alarms as absolute, deviation and band
- 4 selectable Set Point
- Serial Communication (optional): RS-485 Modbus
- PID control with single or double action with overshoot control, ON/OFF, ON/OFF Neutral Zone, Auto-tuning, Self-tuning
- Standby mode of display (selectable)
- User calibration for sensor position compensation

Functional Specifications

Control Specifications

Control Mode: On/Off heating, On/Off cooling, On/Off with neutral zone (H/C), PID heating, PID cooling, PID double action (H/C)

Auto-tuning and Self-tuning algorithms, Overshoot control

Alarm Functions

Absolute high/low, Absolute inside/outside the band, Sensor break, Deviation high/low, Deviation inside/outside the band.

They are combined with Not active at power up, Latched, Acknowledgeable, and Not active at set point change for Deviation alarm.

Digital Input Functions

Alarm reset, Alarm acknowledge, Hold of the measured value, Stand-by mode, Manual mode, Heat with SP1 and Cool with SP2, Sequential set point selection, SP1/SP2 selection, Binary selection of the set point, Work in parallel with Up/down key.

Communication Function

Interface type: Isolated (50 V) RS-485

Protocol: Modbus RTU

Baud rate: 1200, 2400, 9600, 19200, 38400 bps

Byte format: 8bit with no parity, one stop bit.

Instrument address: 1 to 254

Hardware Specifications

Display Specifications

Main display: 4 digit height 15.5 mm, 3 color red, green and amber

Secondary display: 4 digit height 7 mm, green color

Display updating time: 500 ms

Universal Input Specifications

TC J	-50 to +1000°C	-58 to +1832°F
TC K	-50 to +1370°C	-58 to +2498°F
TC S	-50 to +1760°C	-58 to +3200°F
TC R	-50 to +1760°C	-58 to +3200°F
TC T	-70 to +400°C	-94 to +752°F
Infrared J	-50 to +785°C	-58 to +1445°F
Infrared K	-50 to +785°C	-58 to +1445°F
Pt100	-200 to +850°C	-328 to +1562°F
Pt1000	-200 to +850°C	-328 to +1562°F
Linear 0 to 60 mV		
Linear 12 to 60 mV		
Linear 0 to 20 mA (this selection forces Out 4 = TX)		
Linear 4 to 20 mA (this selection forces Out 4 = TX)		
Linear 0 to 5 V		
Linear 1 to 5 V		
Linear 0 to 10 V		
Linear 2 to 10 V		

Sampling time: 130 ms

Resolution: 30000 counts

Total Accuracy: $\pm 0.5\%$ F.S.V. ± 1 digit @ 25°C of room temperature;

Output Specifications

- OUT 1: Relay SPST - NO 4A/250 Vac or voltage to drive SSR 13V max. @1mA
- OUT 2: Relay SPST -NO 2A/250 Vac or voltage to drive SSR 13V max. @1mA, 11.5 min @15mA ±10%
- OUT 3: Relay SPST -NO 2A/250 Vac or voltage to drive SSR 13V max. @1mA, 11.5 min @15mA ±10%
- OUT 4: programmable: voltage output to drive SSR 13V max. @1mA, 11.5 min. @15mA ±10%, 12 VDC (20 mA) transmitter power supply or 2nd digital input

Regulatory Compliance

- CE marking
- EMC Directive:
 - EN 61326-1 Class A, Table 2 (For use in industrial locations)
 - EN 61326-2-3
 - EN 55011 Class A, Group 1
 - (During the test, the instrument continues to operate at the measurement accuracy within specification.)
- LV Directive:
 - EN 61010-1, EN 61010-2-030
 - Installation category: II
 - Pollution category: 2
- RoHS Directive: EN 50581

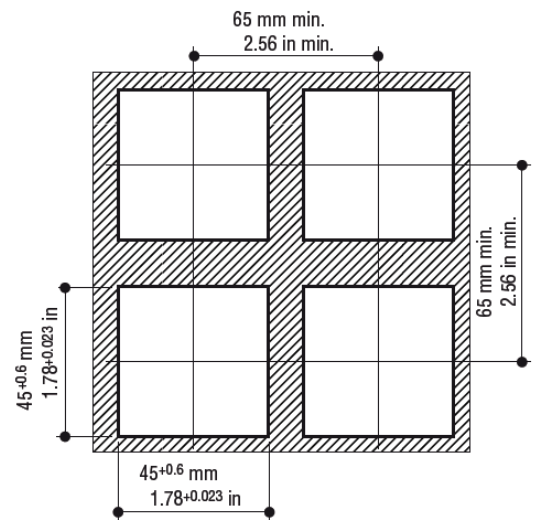
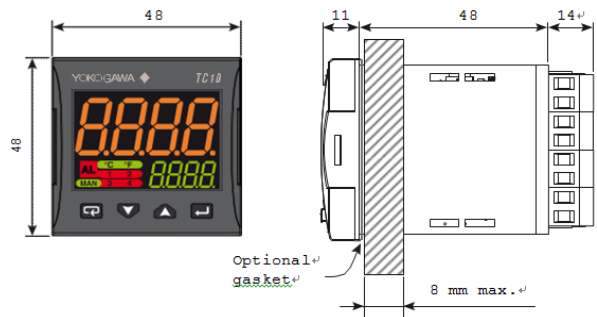
Power Supply

- 24 VAC/DC (±10% of the nominal value)
- 100 to 240 VAC (-15 to +10% of the nominal value)
- Power consumption: 4.5 VA max. (24 VAC/DC)
- 6.0 VA max. (100 to 240 VAC)
- Insulation voltage: 2300 V rms according to EN 61010-1

Environmental Conditions

- Temperature drift: It is part of the global accuracy
- Operating temperature: 0 to 50°C (32 to 122°F)
- Storage temperature: -30 to +70°C (-22 to +158°F)
- Humidity: 20 to 85% RH, not condensing

External Dimensions and Panel Cutout Dimensions

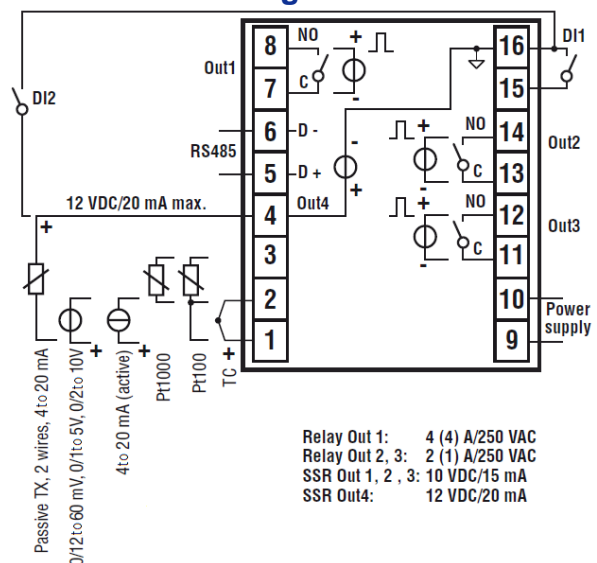


Dimensions: 48 x 48, depth 73 mm
(1.89 x 1.89 x 2.87 in.)

Panel cutout: 45[-0, +0.6] x 45[-0, +0.6] mm
(1.78[-0.000, +0.023] x 1.78[-0.000, +0.023] in.)

Weight: 180 g max.

Terminal Arrangement



■ Construction, Mounting, and Wiring

Case: Plastic, self-extinguishing degree: V-0 according to UL 94

Front protection: IP 65 (when the optional panel gasket is mounted) for indoor locations according to EN 60070-1

Terminals protection: IP 20 according to EN 60070-1

Installation: Panel mounting

Terminal block: 16 screw terminals for cables of 0.25 to 2.5 mm² (AWG22 to AWG14) with connection diagram, tightening torque 0.5 Nm;

■ Model and Suffix Code

Model Code	Suffix codes									Description
TC10	-N	<input type="checkbox"/>	C	<input type="checkbox"/>	<input type="checkbox"/>	<input type="checkbox"/>	D	<input type="checkbox"/>	F	Temperature Controller with an universal input, one logic input, and one selectable I/O
Fixed code	-N									Always "-N"
Power supply	L									24 VAC/DC
	H									100 to 240 VAC
Fixed code		C								Always "C"
OUT1-3			R	N	N					Relay output for On/Off control
			R	R	R					Relay output with two alarm relays, or On/Off Heat/Cool control with one alarm
			V	N	N					DCV output for SSR
			V	R	R					DCV output for SSR with two alarm relays, or DCV and Relay output for Heat/Cool control with one alarm
			V	V	R					Two DCV outputs for SSR with one relay
IN/OUT4(Fixed code)						D				Always "D" Selectable I/O (logic input / 12V SSR drive output / 12VDC 20mA transmitter power supply)
Serial communication							S			RS485 Modbus
							N			None
Fixed code								F		Always "F"

■ Items to be specified when ordering

Model and suffix code.

■ Standard accessories

Brackets (mounting hardware), Quick Guide

■ Optional accessory

Panel gasket for IP65: A00336

■ User's Manual

Product user's manuals can be downloaded or viewed at the following URL.

URL: <http://www.yokogawa.com/ns/tc10/im/>